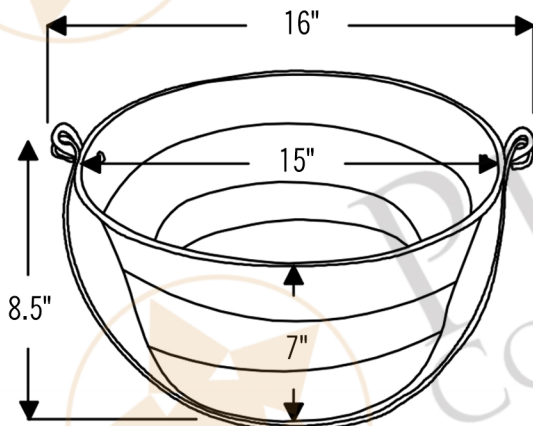
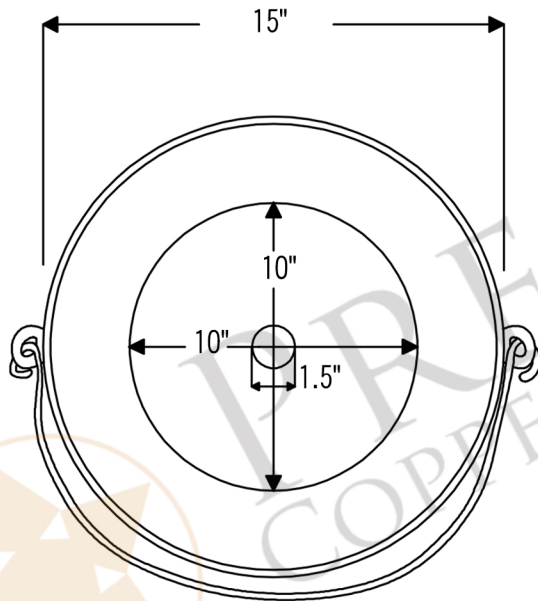




PREMIER  
COPPER PRODUCTS

## MODEL NUMBER: VR16BUDB

- \* Description: 16" Round Bucket Vessel Sink
- \* Outer Dimension: 16" x 8.5" (with handles)
- \* Outer Dimension: 15" x 7" (without handles)
- \* Bottom Dimension: 10"
- \* Rim: Heavy Gauge Wired Rim
- \* Drain Opening: 1.5" Non-Overflow
- \* Finish: Oil Rubbed Bronze



THIS PRODUCT IS HAND CRAFTED, SMALL VARIANCES IN COLOR AND SIZE MAY OCCUR.  
DO NOT MAKE ANY INSTALLATION CUTS UNTIL YOU RECEIVE YOUR ITEM(S).