



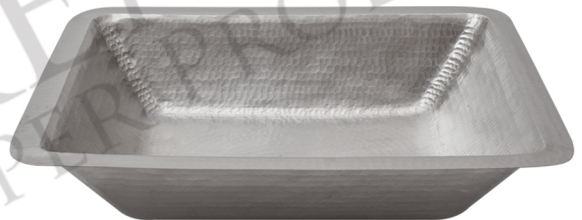
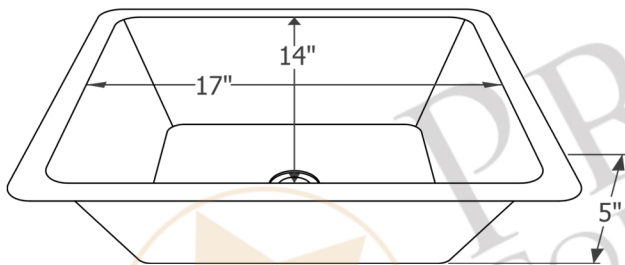
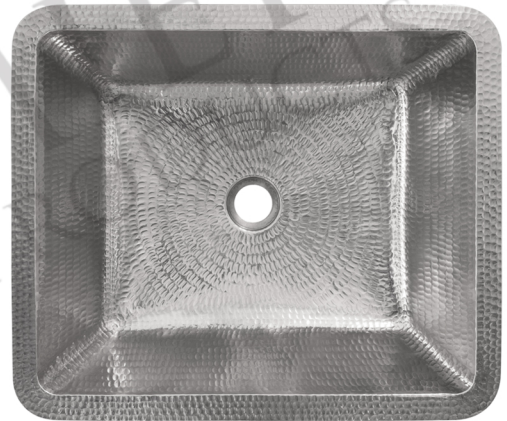
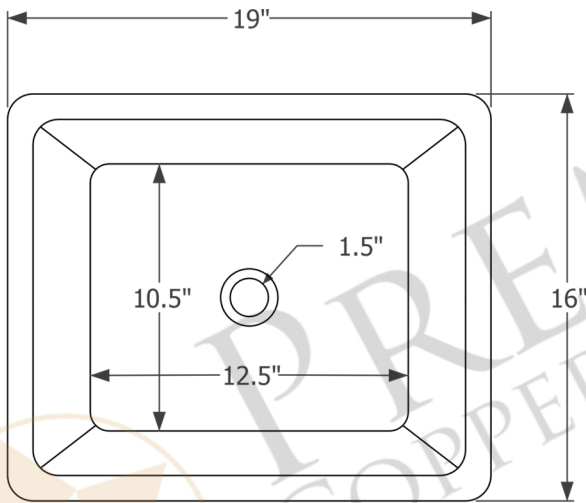
PREMIER
COPPER PRODUCTS

MODEL NUMBER: LREC19EN

- * Description: 19" Rectangle Under Counter Hammered Copper Sink
- * Outer Dimension: 19" x 16" x 5"
- * Inner Dimension: 17" x 14" x 5"
- * Rim: 1"
- * Drain Opening: 1.5"
- * Finish: Nickel

CODE/STANDARD COMPLIANCE

* IAPMO/cUPC LISTED



THIS PRODUCT IS HAND CRAFTED, SMALL VARIANCES IN COLOR AND SIZE MAY OCCUR.
DO NOT MAKE ANY INSTALLATION CUTS UNTIL YOU RECEIVE YOUR ITEM(S).