



PREMIER  
COPPER PRODUCTS

MODEL NUMBER: L019FSTDB

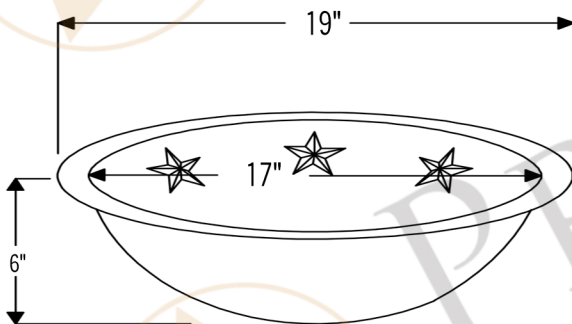
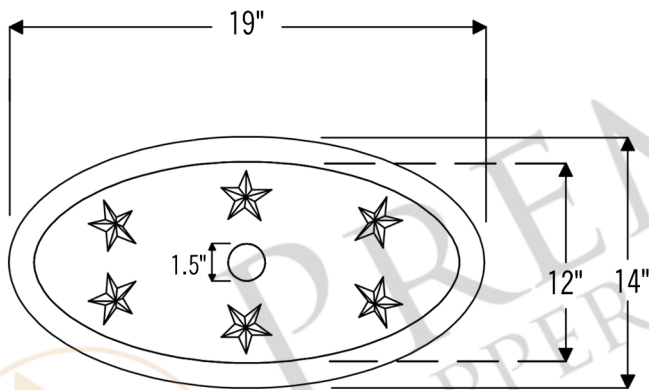
- \* Description: Oval Star Under Counter Hammered Copper Sink
- \* Outer Dimension: 19" x 14" x 6"
- \* Inner Dimension: 17" x 12" x 6"
- \* Rim: 1"
- \* Drain Opening: 1.5"
- \* Finish: Oil Rubbed Bronze
- \* Design: Stars

CODE/STANDARD COMPLIANCE

\* IAPMO/cUPC LISTED



\* ORB: Oil Rubbed Bronze



THIS PRODUCT IS HAND CRAFTED, SMALL VARIANCES IN COLOR AND SIZE MAY OCCUR.  
DO NOT MAKE ANY INSTALLATION CUTS UNTIL YOU RECEIVE YOUR ITEM(S).