



PREMIER
COPPER PRODUCTS

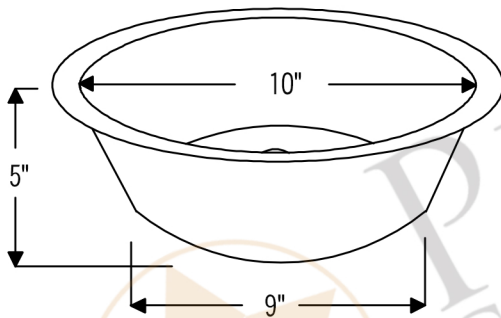
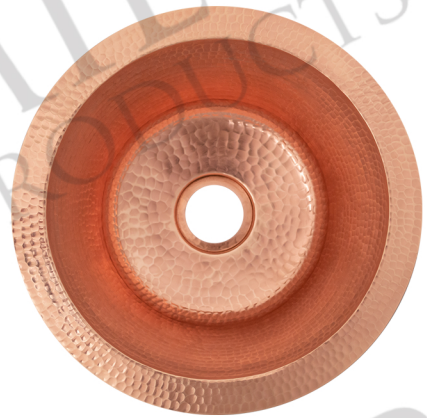
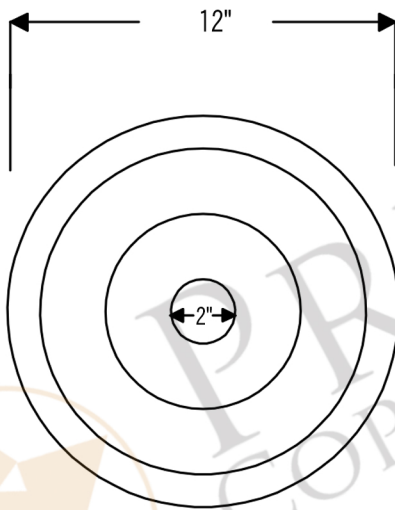
MODEL NUMBER: BR12PC2

CODE/STANDARD COMPLIANCE

* IAPMO/cUPC LISTED



- * Description: 12" Round Hammered Copper Bar Sink in Polished Copper with 2" Drain Opening
- * Outer Dimension: 12" x 5"
- * Inner Dimension: 10" x 5"
- * Rim: 1"
- * Drain Opening: 2"
- * Finish: Polished Copper



THIS PRODUCTS IS HAND CRAFTED, SMALL VARIANCES IN COLOR AND SIZE MAY OCCUR.
DO NOT MAKE ANY INSTALLATION CUTS UNTIL YOU RECEIVE YOUR ITEM(S).