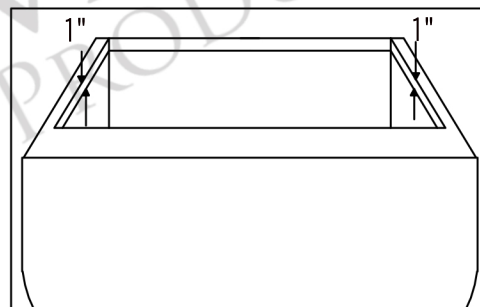
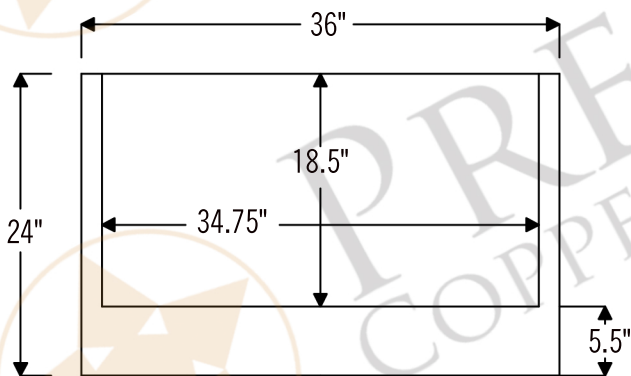
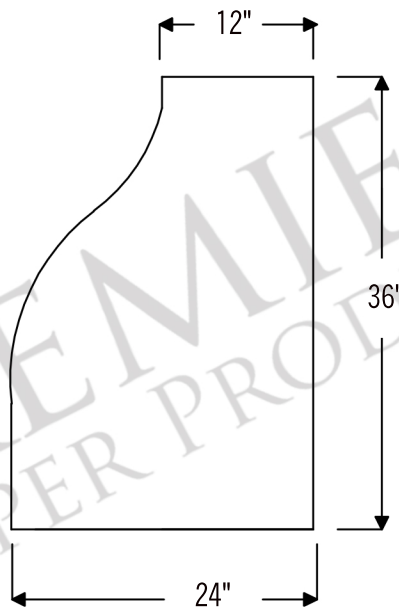




- \* Description: Hand Hammered Copper Wall Mounted Campana Range Hood 1250 CFM Stainless Steel Insert
- \* Outer Dimensions: 36" X 24" X 36"
- \* Top Dimensions: 20" X 12"
- \* Bottom Dimensions: 36" X 24"
- \* Bottom Opening Dimensions: 34.75" x 18.5"
- \* Finish: Oil Rubbed Bronze



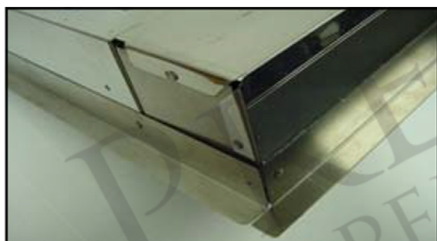
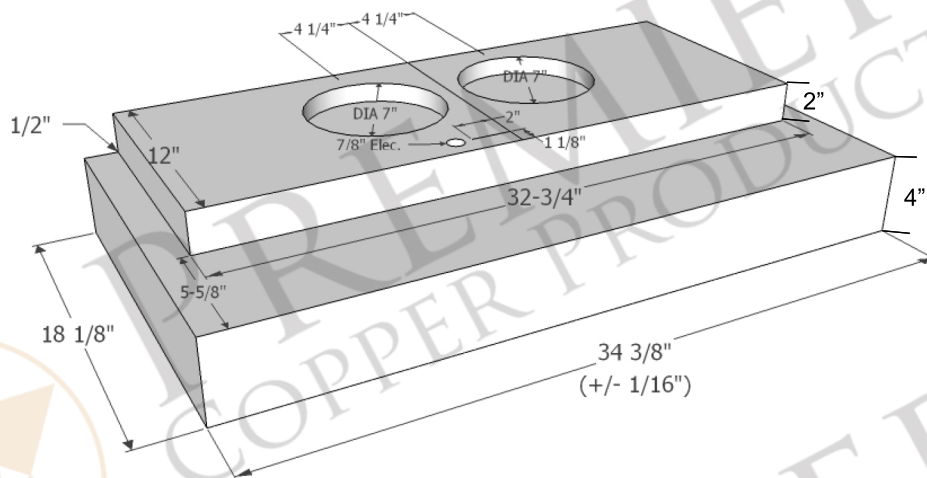
THIS PRODUCTS IS HAND CRAFTED, SMALL VARIANCES IN COLOR AND SIZE MAY OCCUR.  
DO NOT MAKE ANY INSTALLATION CUTS UNTIL YOU RECEIVE YOUR ITEM(S).



- \* Description: Hand Hammered Copper Wall Mounted Campana Range Hood 1250 CFM Stainless Steel Insert
- \* Insert Model Number: C2036BP1-TW
- \* Insert Description: 1250 CFM, 1.5 -4.6 Sones, Variable Controls, Twin Centrifugal Blowers, Aluminum Mesh Filters
- \* Insert Duct: **Two** 7" Round Vent Opening
- \* Insert Lighting: LED Bulbs Included / *Lights Located on Front Panel*
- \* Filter: Aluminum Mesh Filter
- \* Insert Finish: Stainless Steel



### POWERED LINER SPECIFICATIONS



3/4" Flange for perfect fit.

SEVEN YEAR, IN HOME, LIMITED WARRANTY ON INSERT, THE BEST IN THE INDUSTRY!

Please visit [ImperialHoods.com](http://ImperialHoods.com) to view the details on their warranty

All dimensions on inserts are (+/-) 1/8" and are subject to change. Drawings are not to scale.